

CAUTION

To prevent serious personal injury and/or property damage, operate all remotely controlled models in a responsible manner as outlined herein.

◆ Safety Precautions

- 1.1 This radio-controlled model is not a toy, it is designed for persons 14 years of age or older.
- 1.2 Do not operate your vehicle on unsafe terrain; always pay attention to your surroundings.
- 1.3 Never operate your vehicle on public roadways, around moving people, animals, or operating machinery.
- 1.4 Keep clear of power lines and high-powered radio equipment to minimize radio frequency interference.
- 1.5 Since this vehicle contains small components, it may be a choking hazard for small children. Keep the vehicle and any spare parts out of reach of small children.

◆ Inspect your radio-controlled model before operation

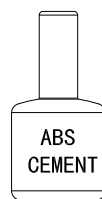
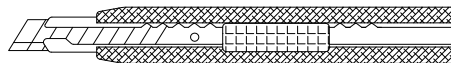
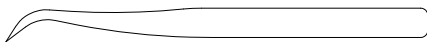
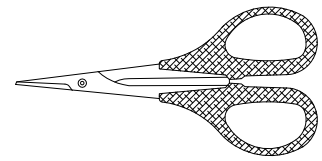
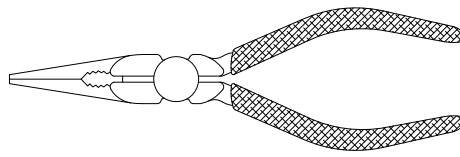
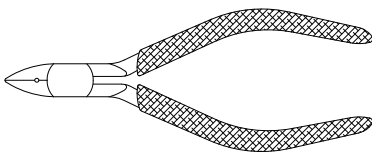
- 2.1 Ensure that all screws are properly tightened. Use thread-lock to secure any metal to metal contacts- especially for components designed to withstand torque (servo mounts, motor mount, drive shaft grub screws etc.).
- 2.2 Always check the battery voltage for both the transmitter and vehicle prior to operating your vehicle. Keep the batteries fresh in the transmitter and always begin your vehicle runs with a fully charged battery pack.
- 2.3 Always check that the motor and servo are operating smoothly and in the right direction prior to operation. If binding between components is observed, replace parts as necessary to reduce possibility of component or servo damage.
- 2.4 To turn on your vehicle, always power on your transmitter first, then power on your receiver.

◆ After operating your radio-controlled model



- 3.1 To turn off the vehicle, always power off your receiver prior to powering off your transmitter.
- 3.2 Use caution when handling the vehicle- components, especially the ESC and motor which will be hot after operation.
- 3.3 Never use battery packs which are dented or otherwise damaged. Ensure that the wire insulation is intact and that connectors are properly soldered. Lithium batteries can become fire hazards if mishandled.


TOOLS


(Not included)






BAG(A)


12107  
M1.6 X4


11415 
M3x10 X1


11708 
M1.6x4 X2



11141 
M1.6x16 X1


12102  
M2 X4


11414 
M2x12 X2

11128 
M1.6x10 X1


11210 
M3x16 X1


12203  
M3 X1


12001 
M2x6 X6

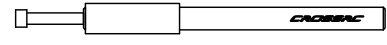
11140 
M1.6x12 X1

11212 
M3x20 X1

11401 
M3x4 X1

12002 
M2x10 X2

11139 
M1.6x14 X1

 CROSS-RC
95024 X1

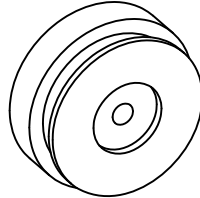
BAG(B)



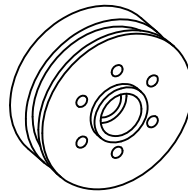
41449 X1



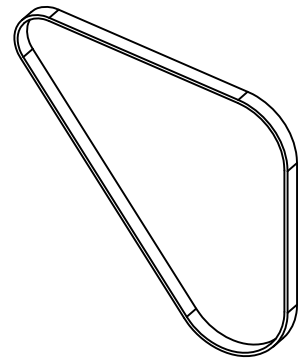
41454 X1



41455 X1



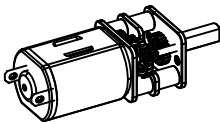
41456 X1



91127 X1

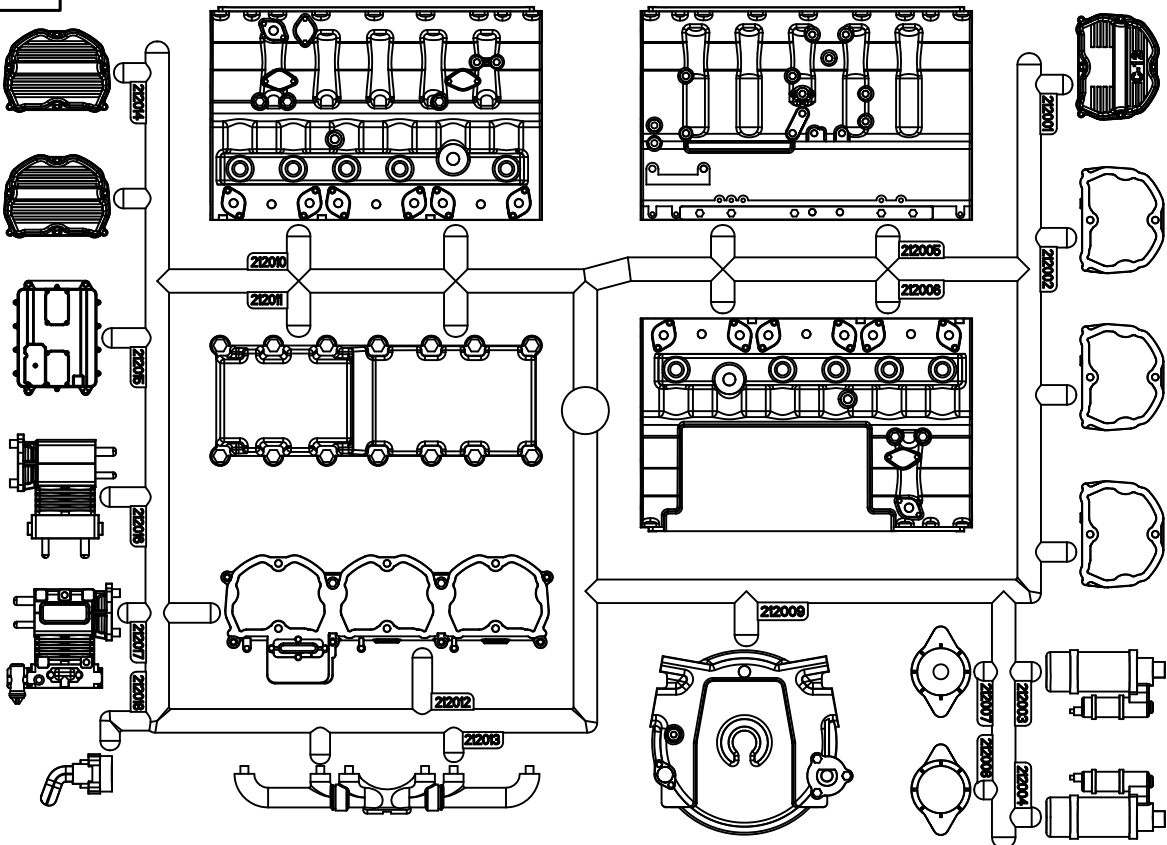


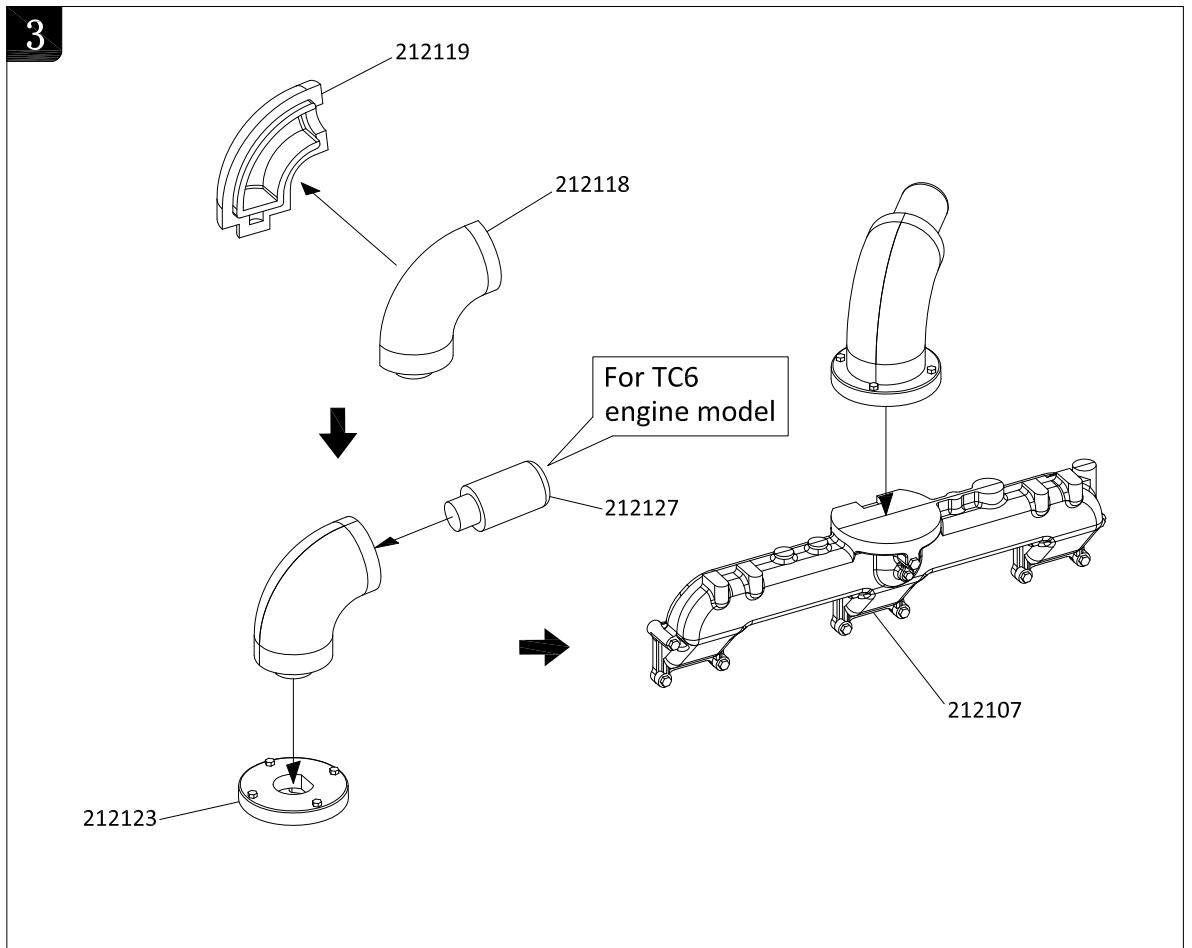
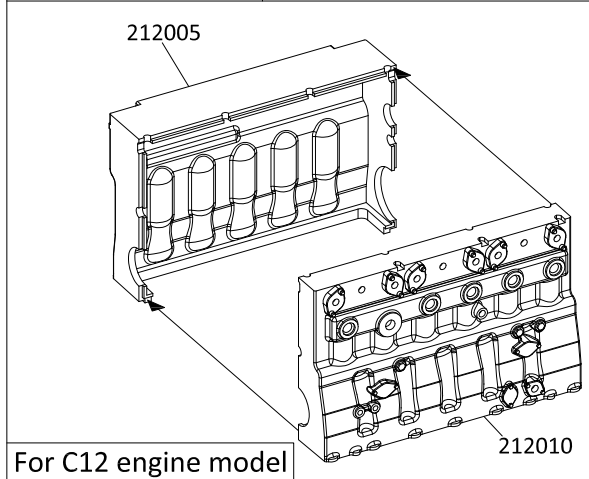
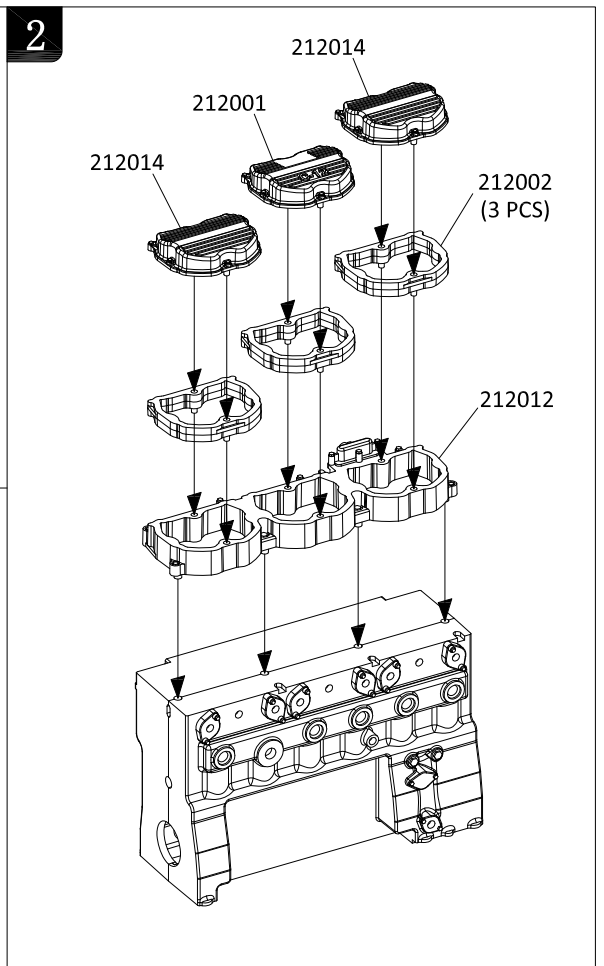
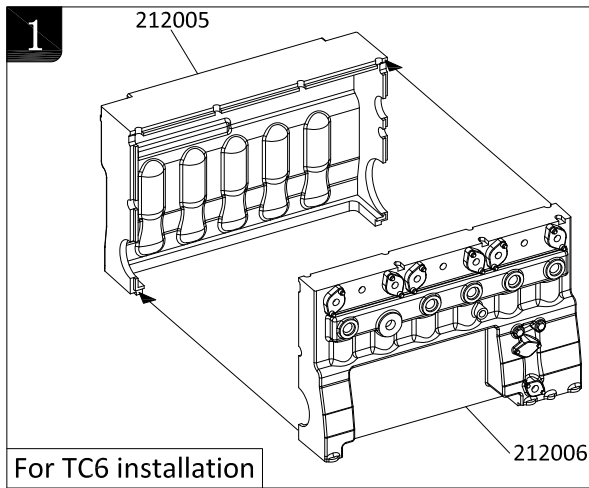
41205 X1

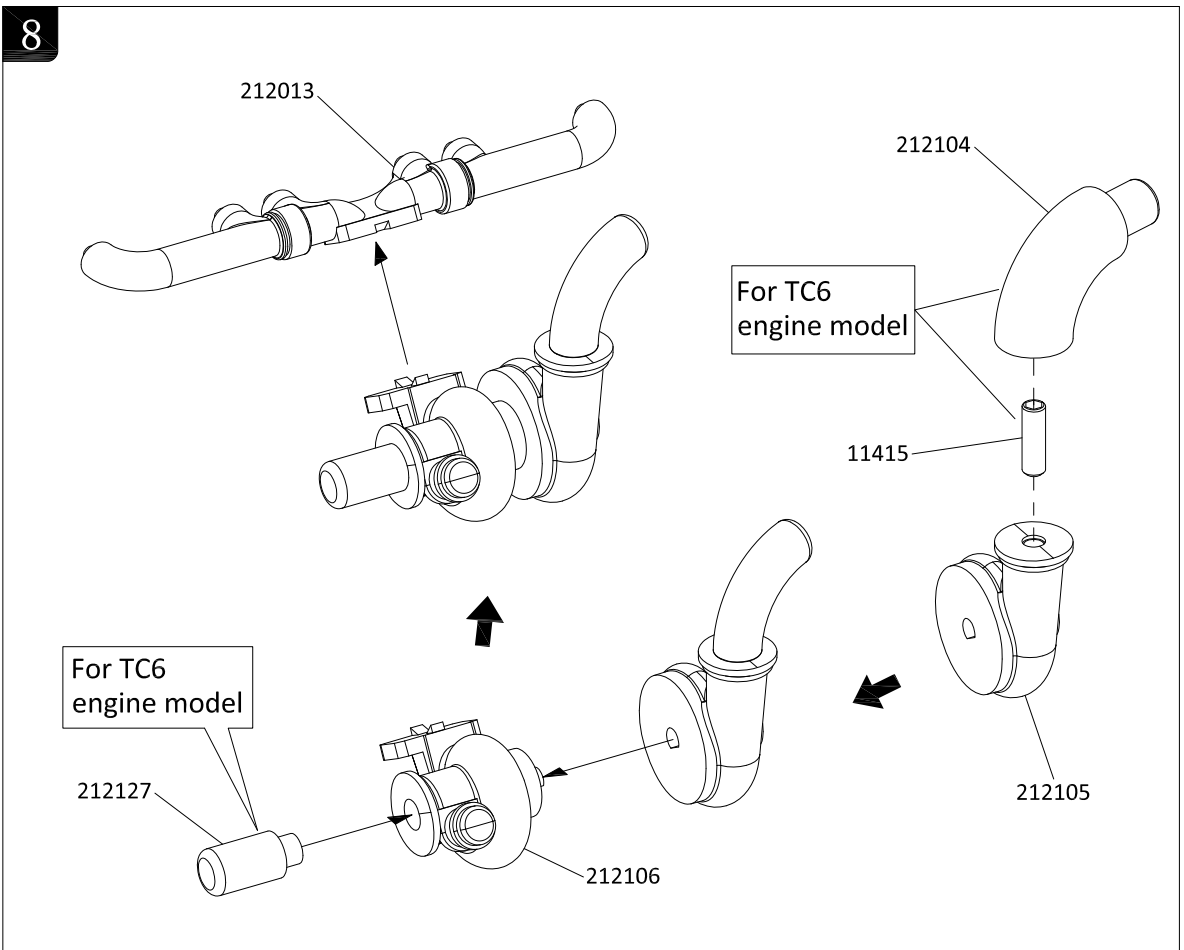
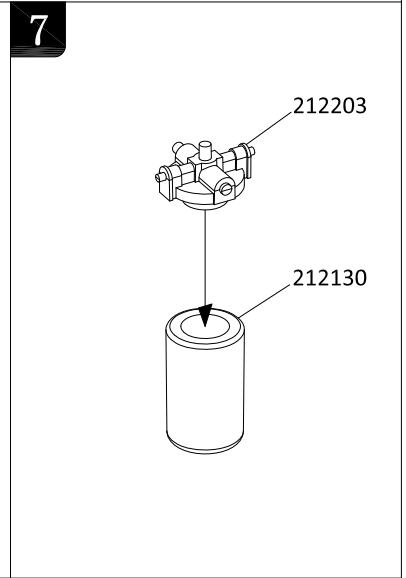
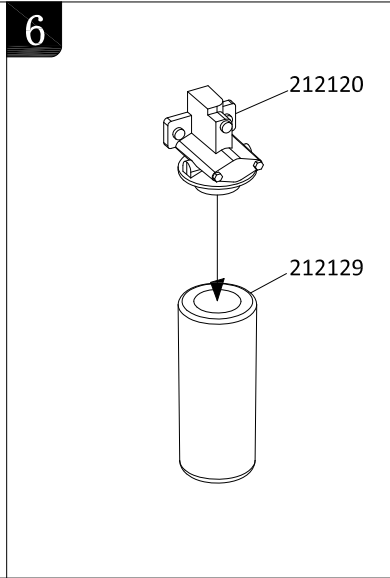
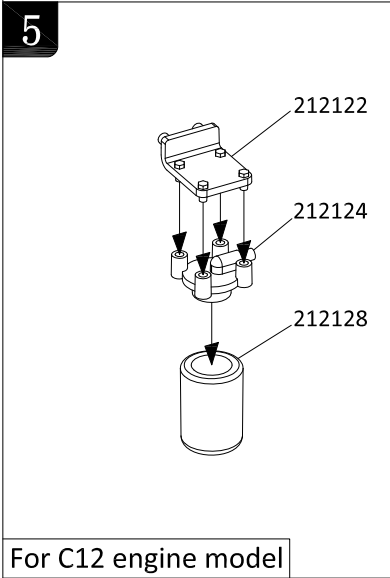
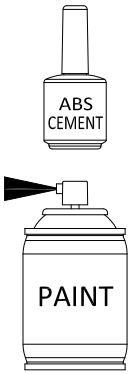
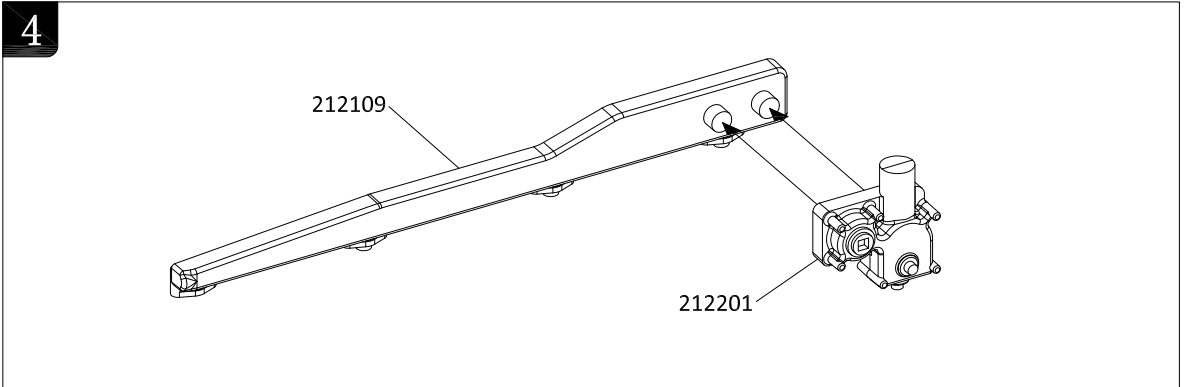



10604 X1

No.2120

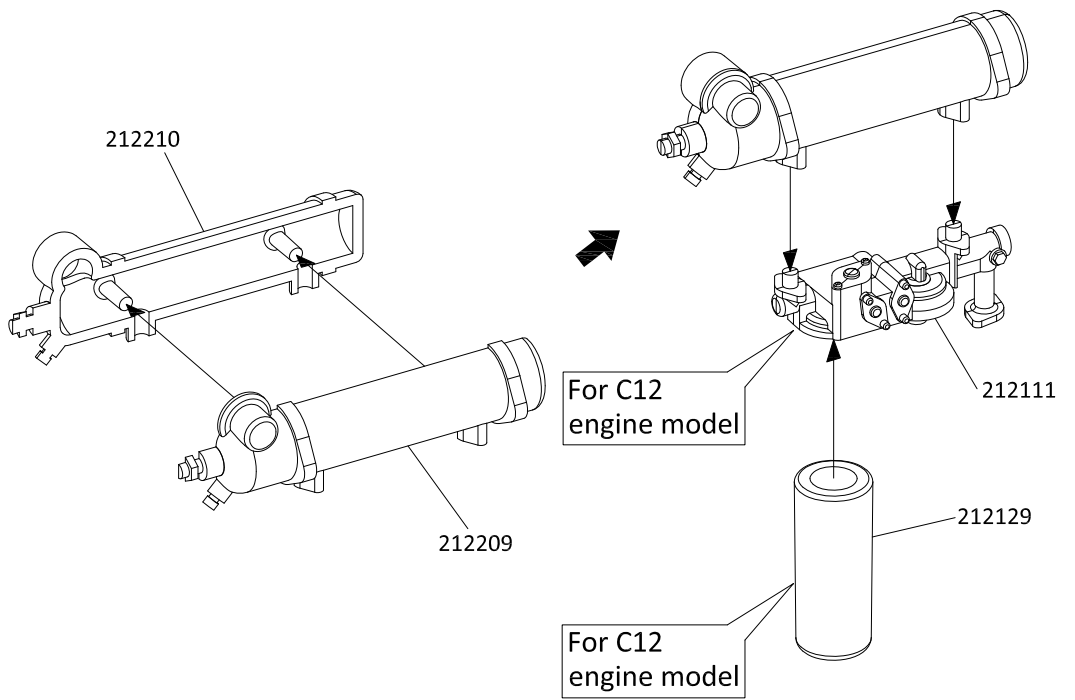
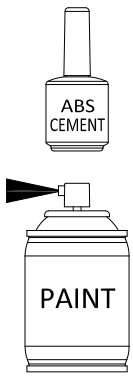




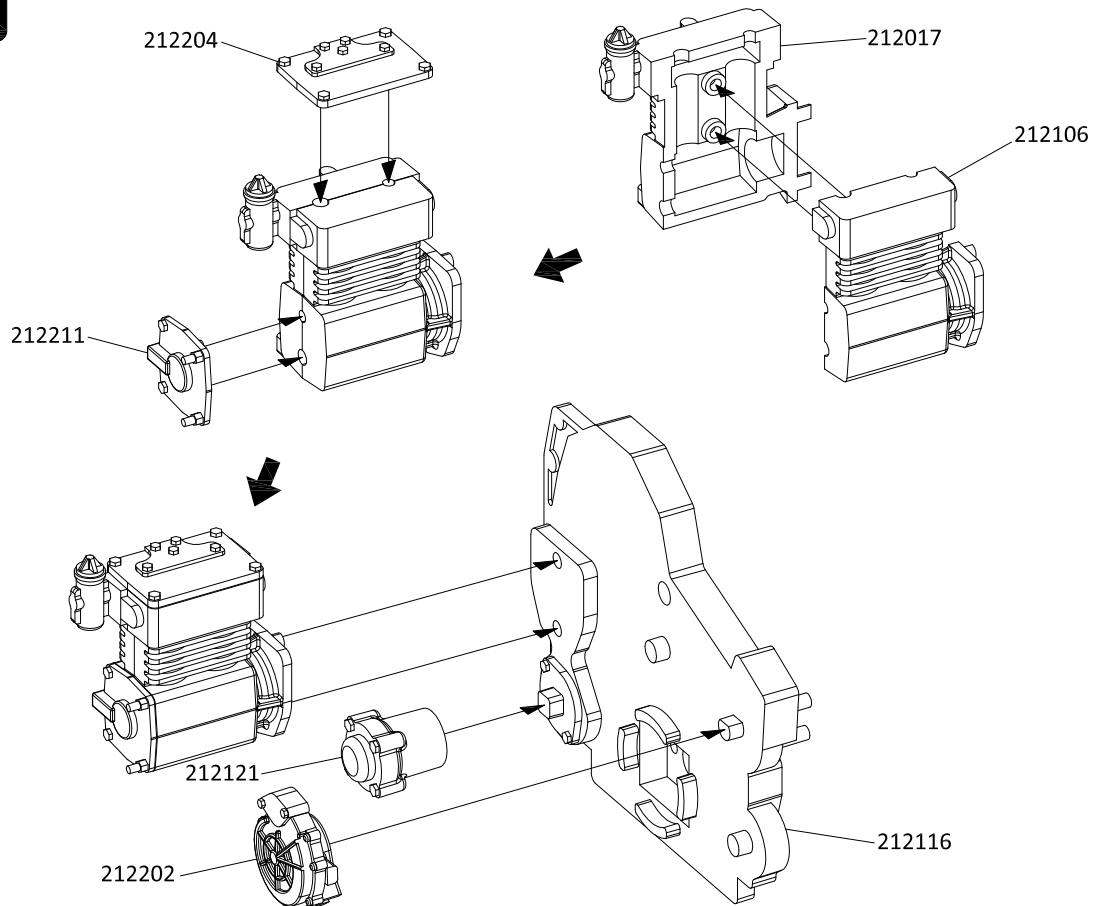
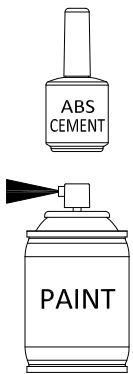


11415  M3x10 X1


9




10



11

12203 
M3 X1

11212 
M3x20 X1

11708 
M1.6x4 X2

12203

10604

212114

41449

41456

11212


11708


212108


212112





12


11401 
M3x4 X1


11128 
M1.6x10 X1

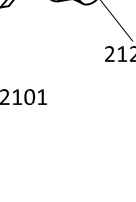
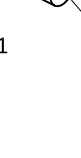
11140 
M1.6x12 X1

11139 
M1.6x14 X1

11141 
M1.6x16 X1

11210 
M3x16 X1

12107 
M1.6 X4



12107

11141

212101

212102

12107

11140

212126

41455

12107

212008

11128

11401

212007

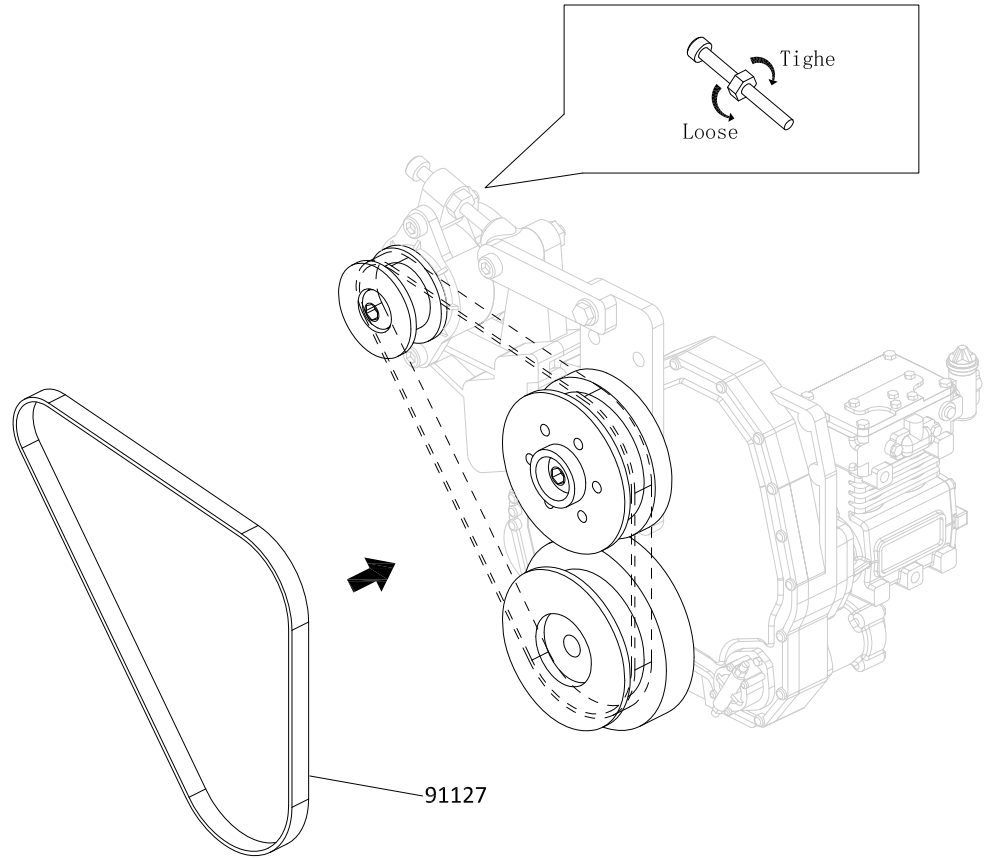
41205

41454

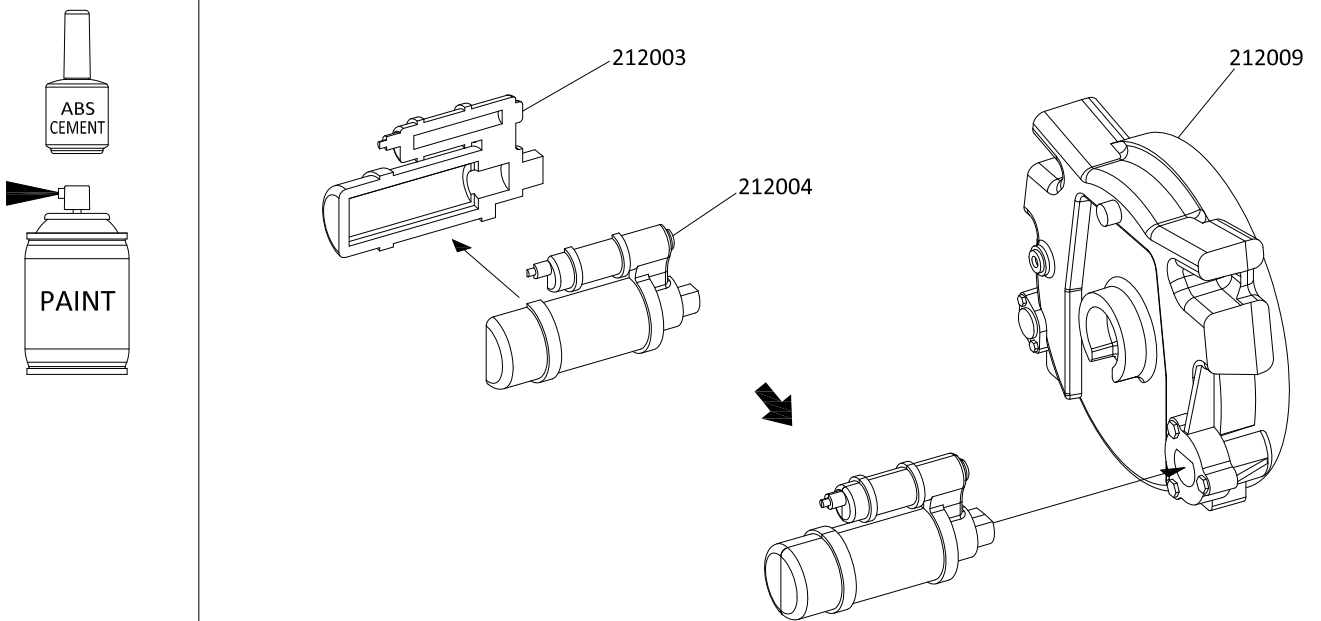
11210

11139

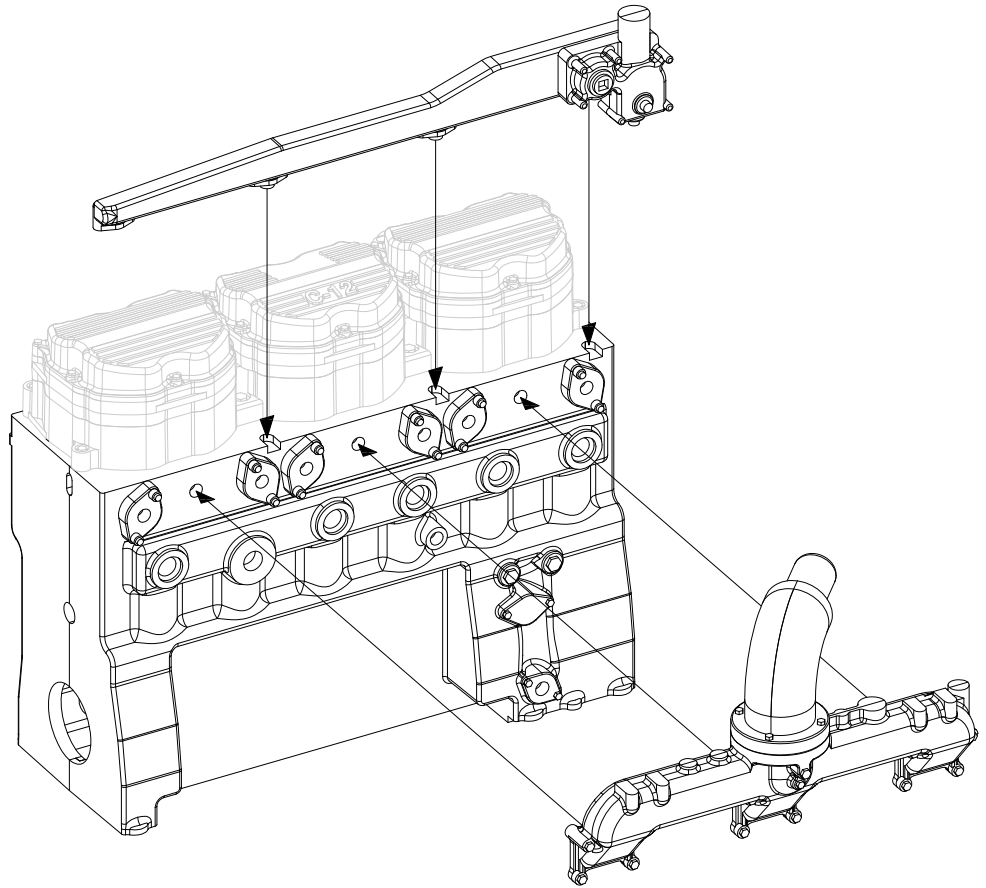
13



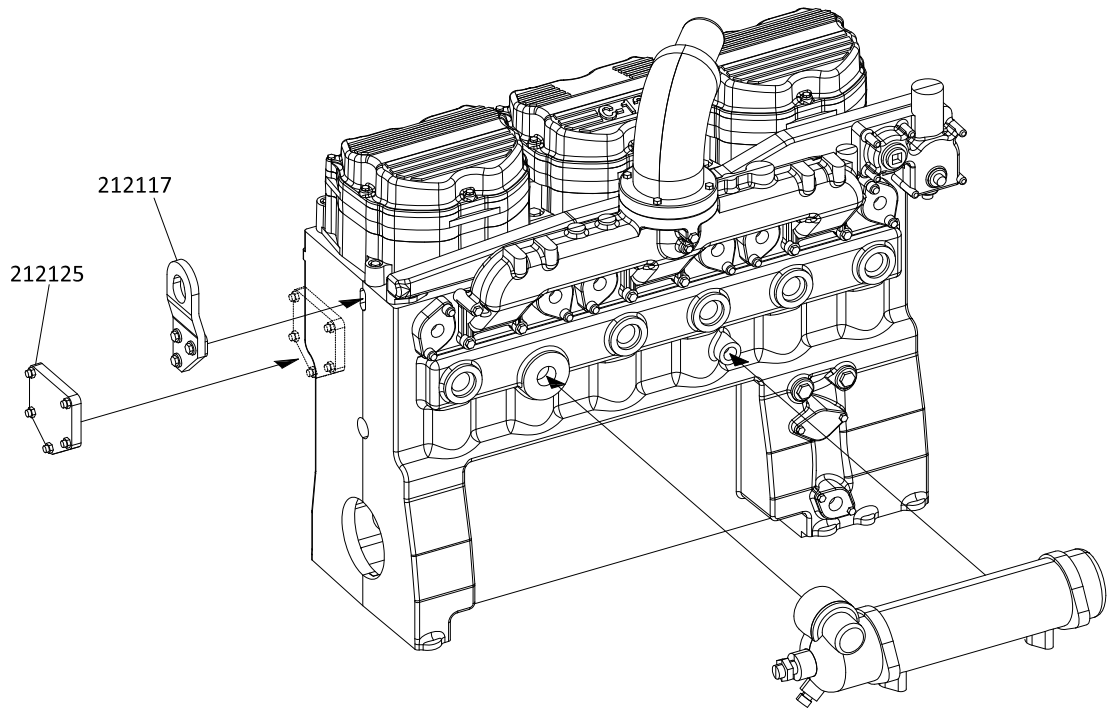
14



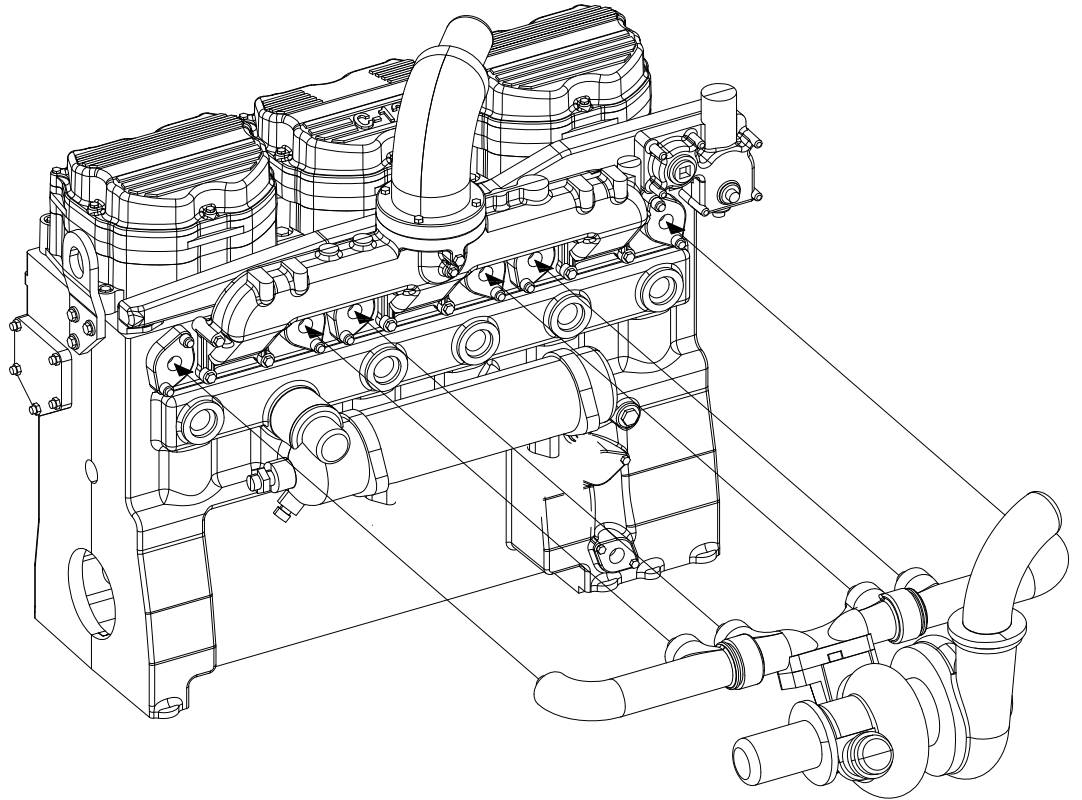
15



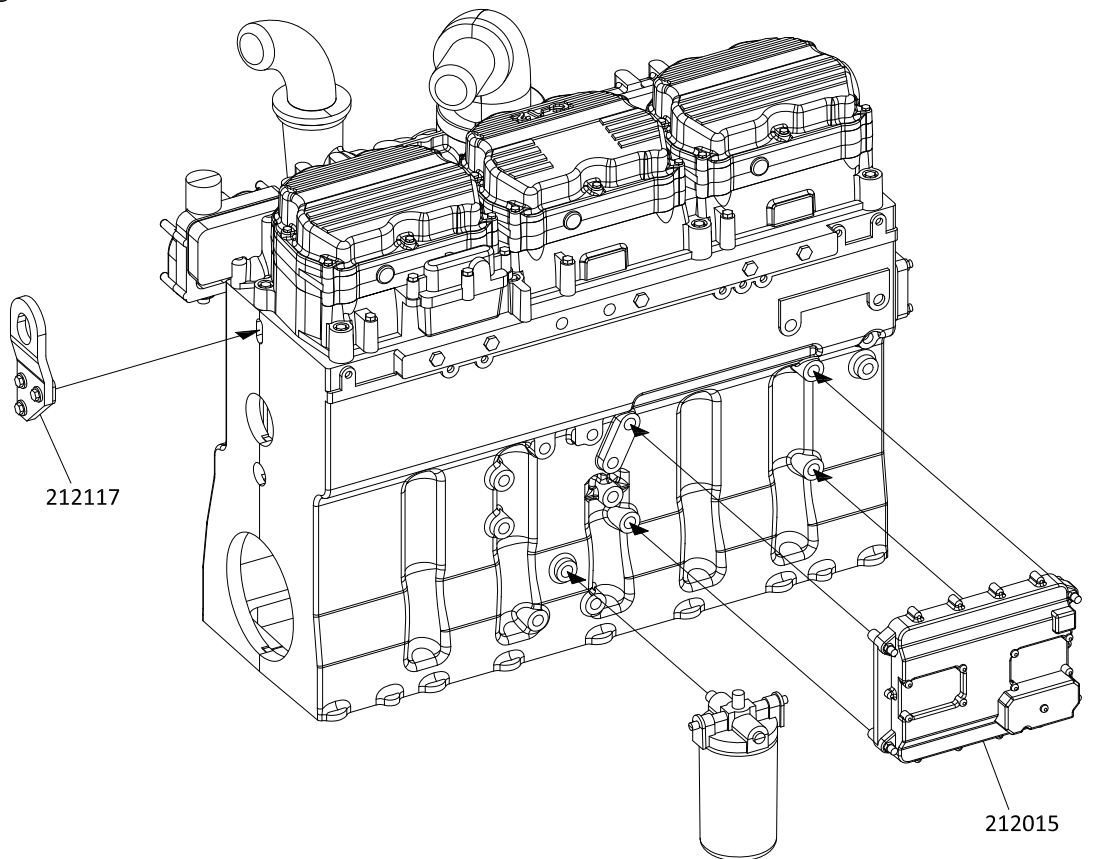
16



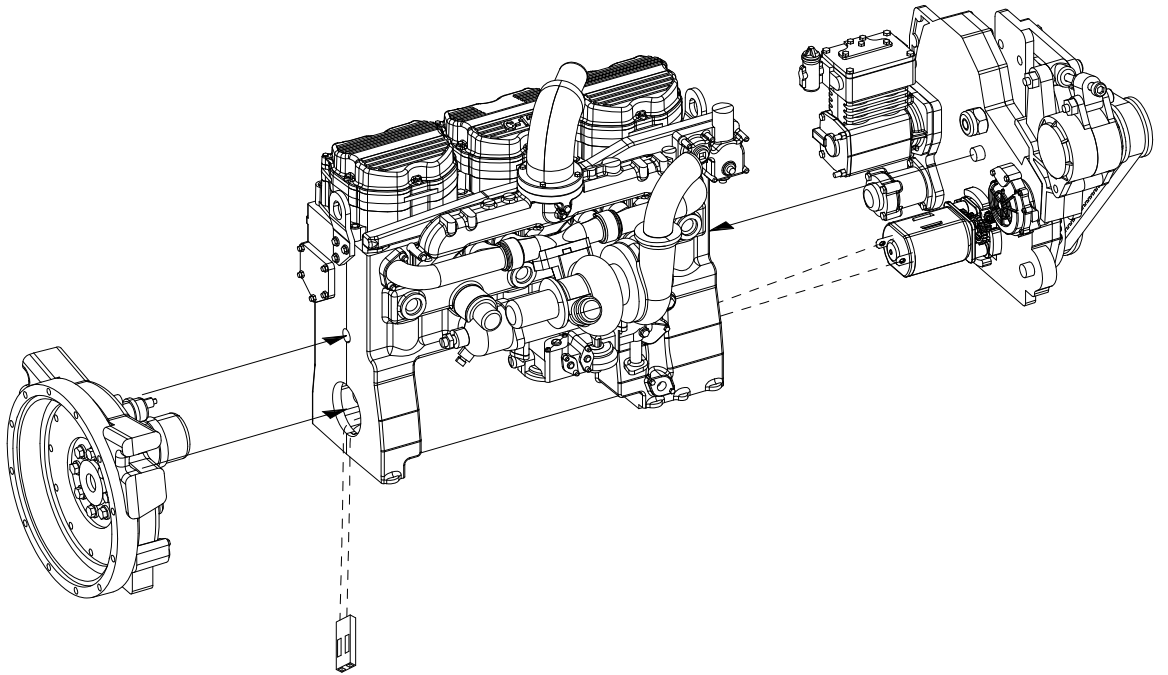
17



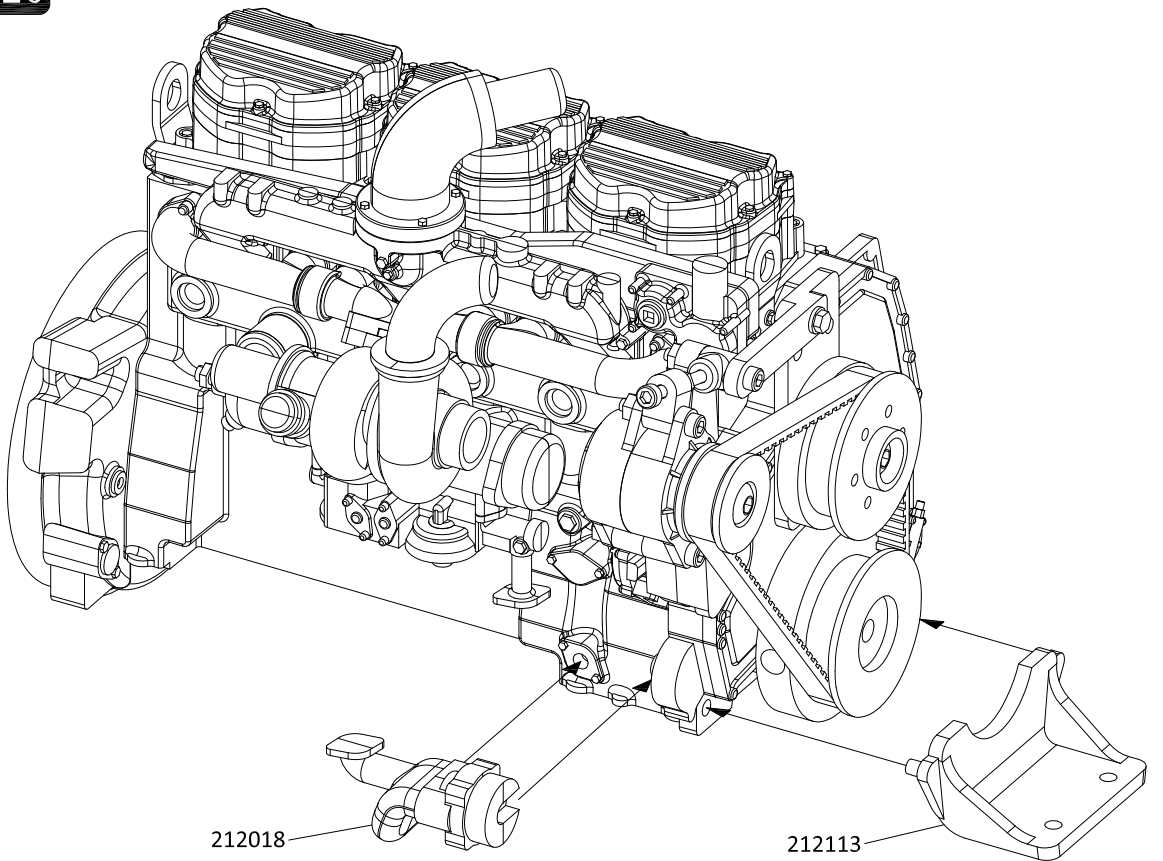
18



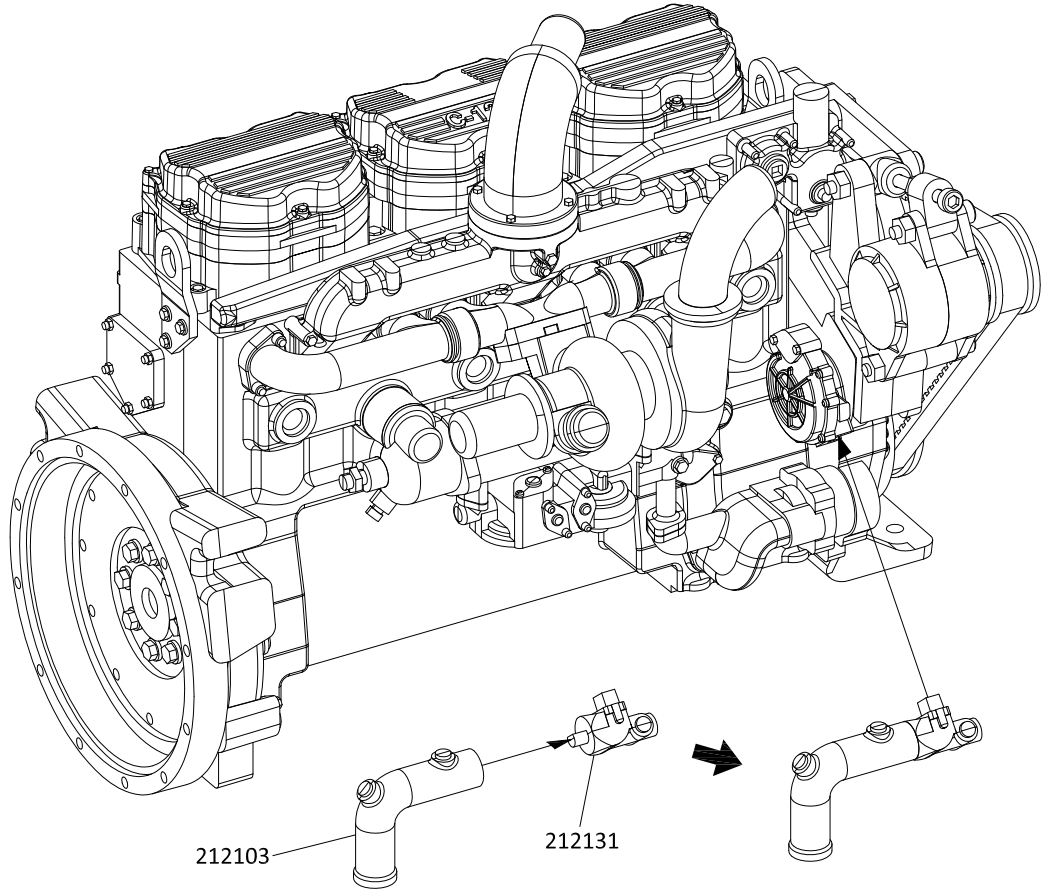
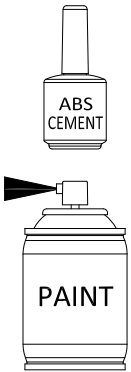
19




20

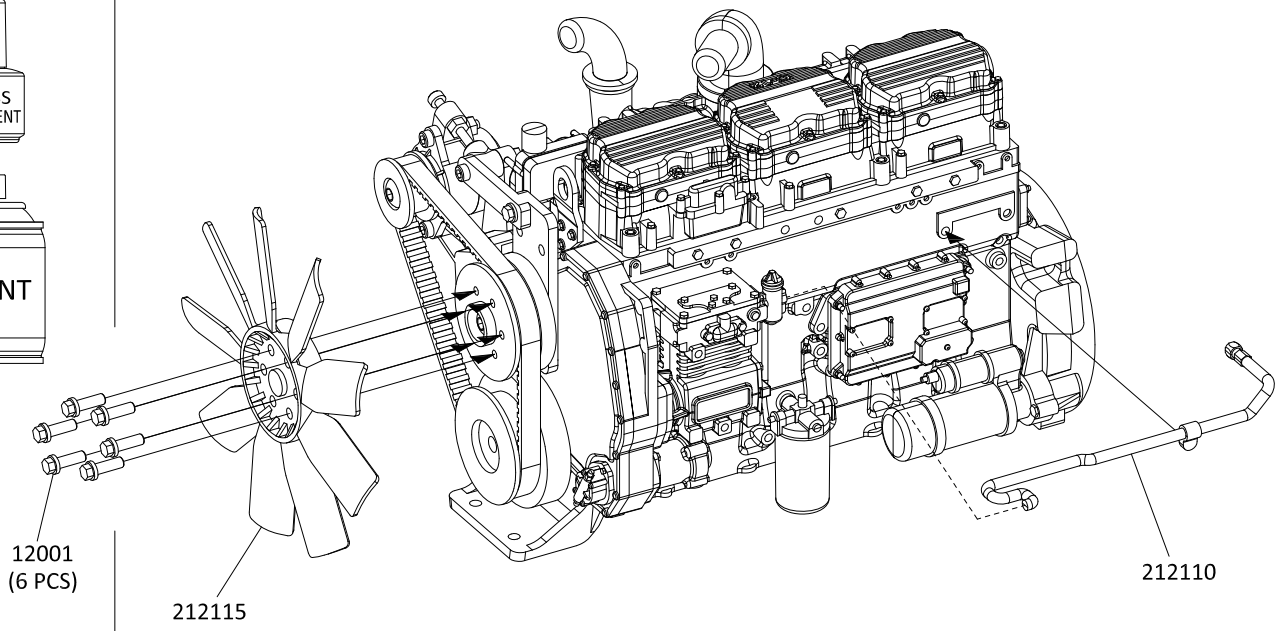
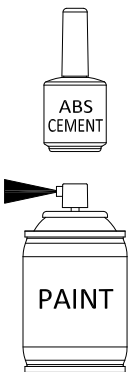


21

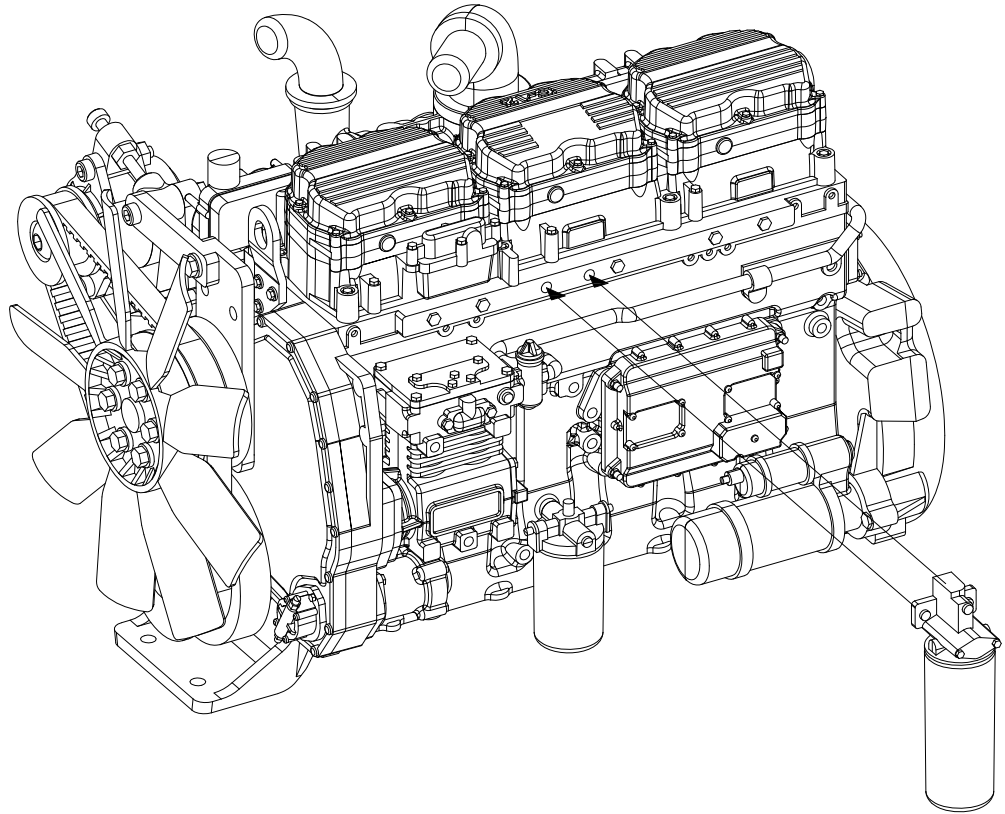


22


12001  M2x6 X6

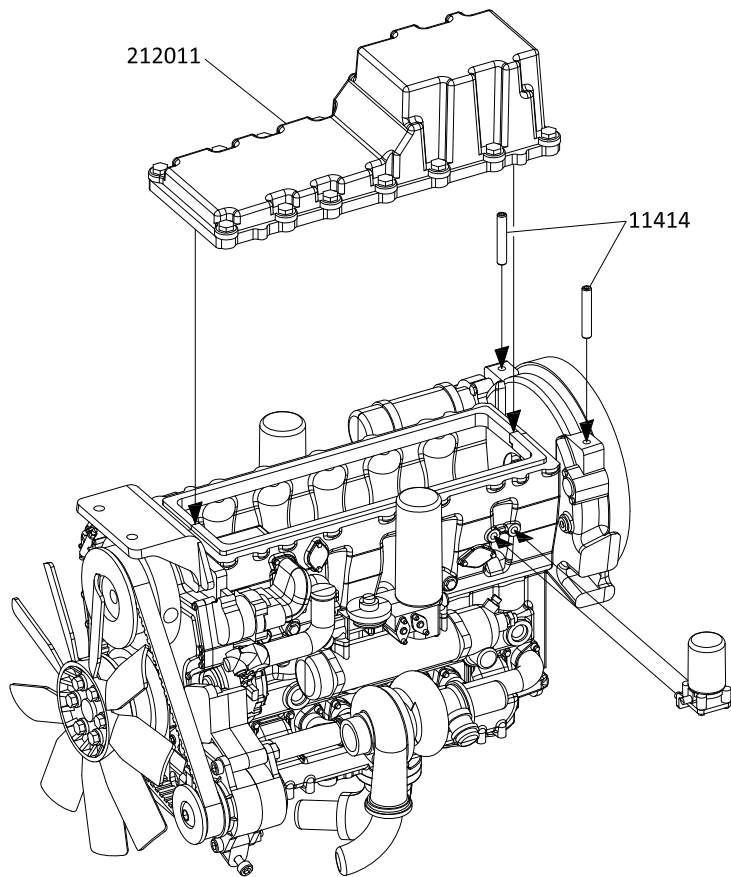


23



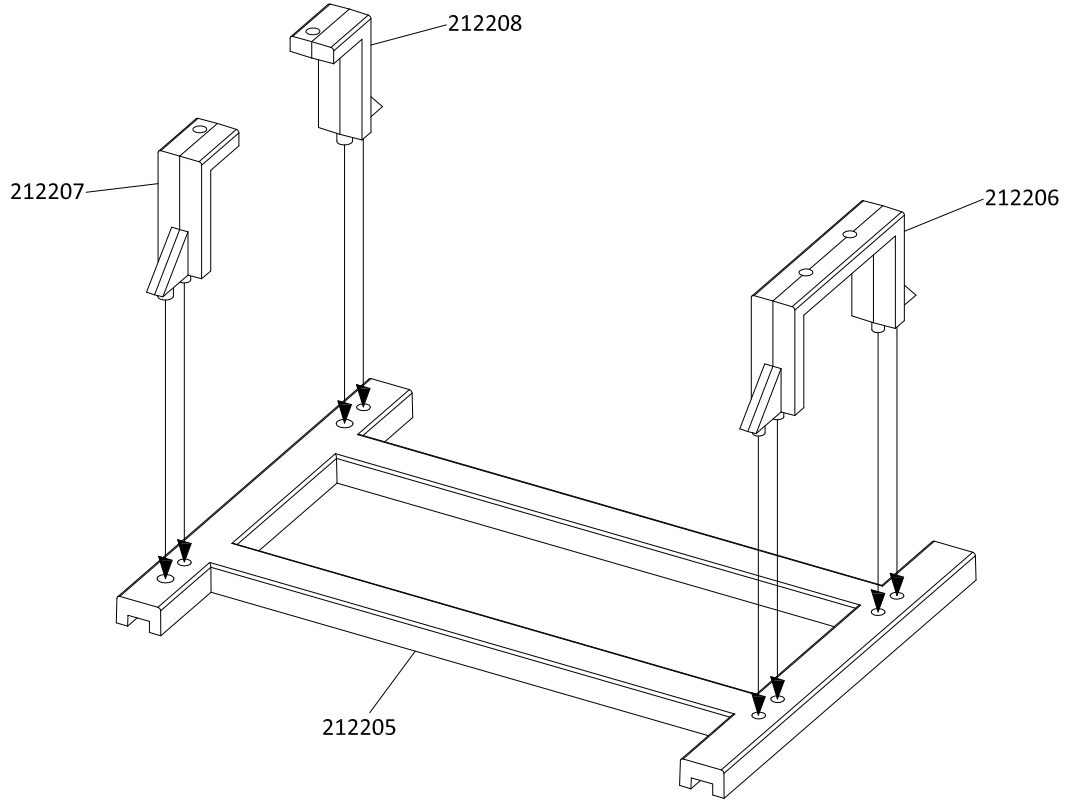
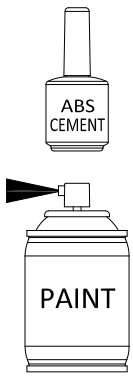
24

11414  M2x12 X2




Only for C12 engine model


25

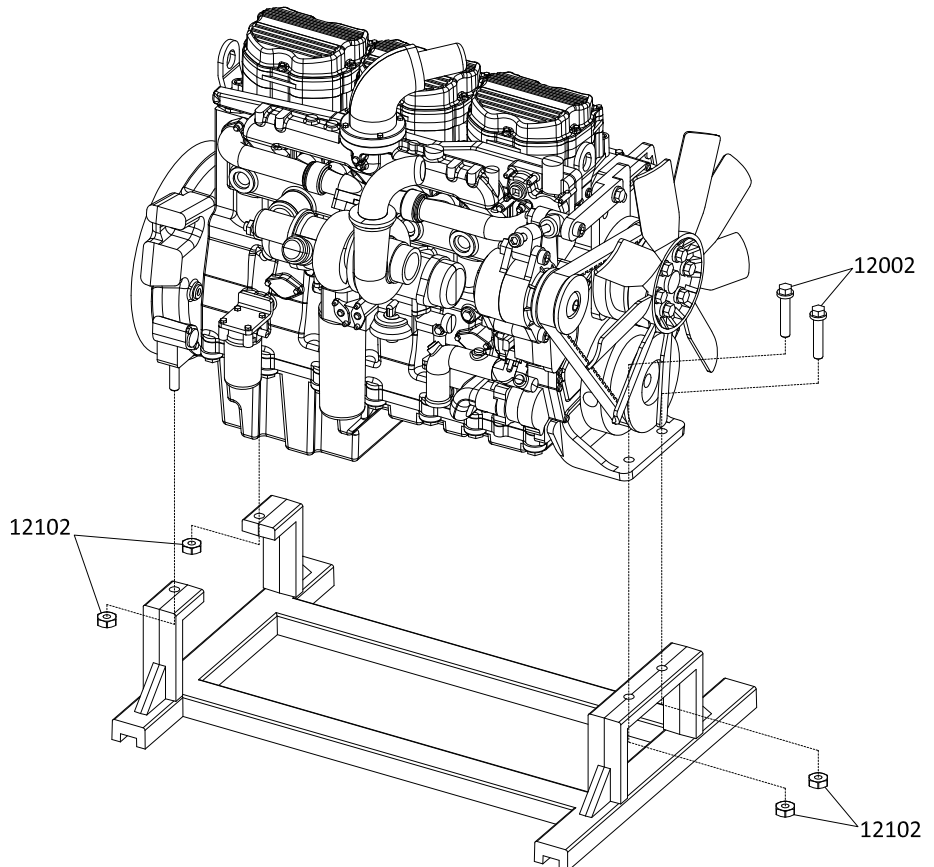


Only for C12 engine model

26

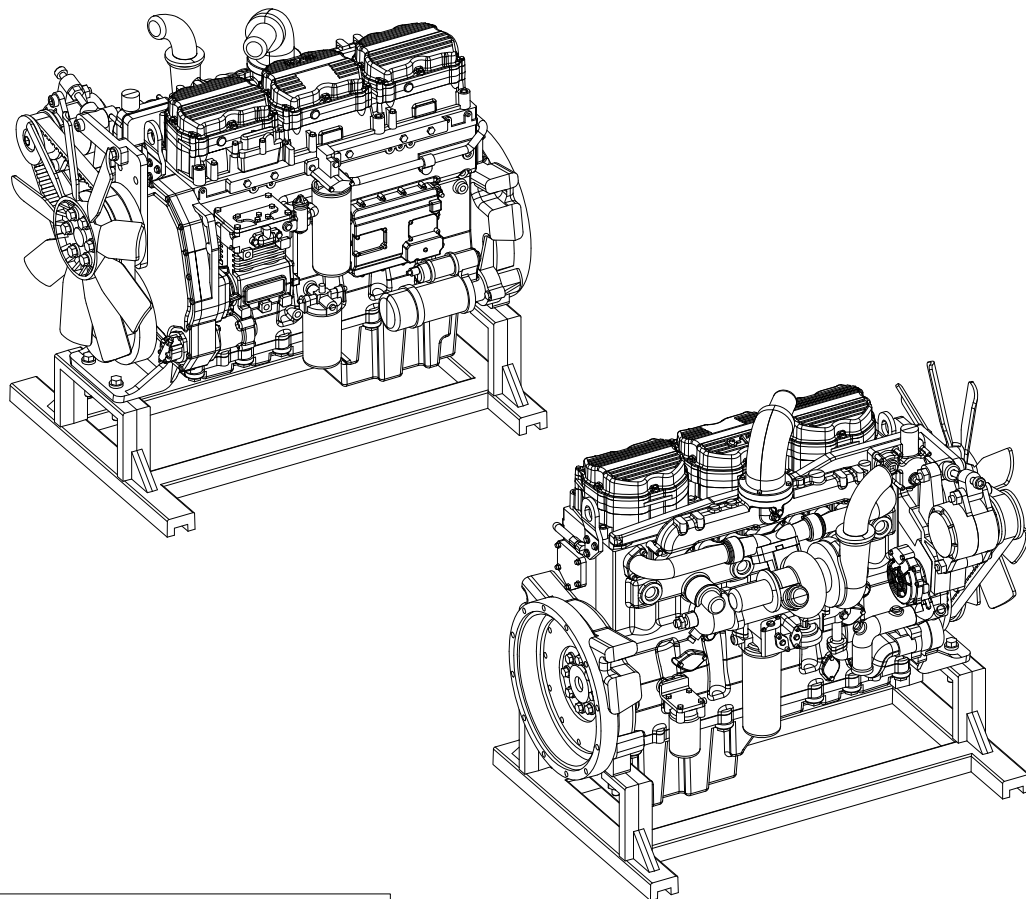
12002 
M2x10 X2

12102 
M2 X4



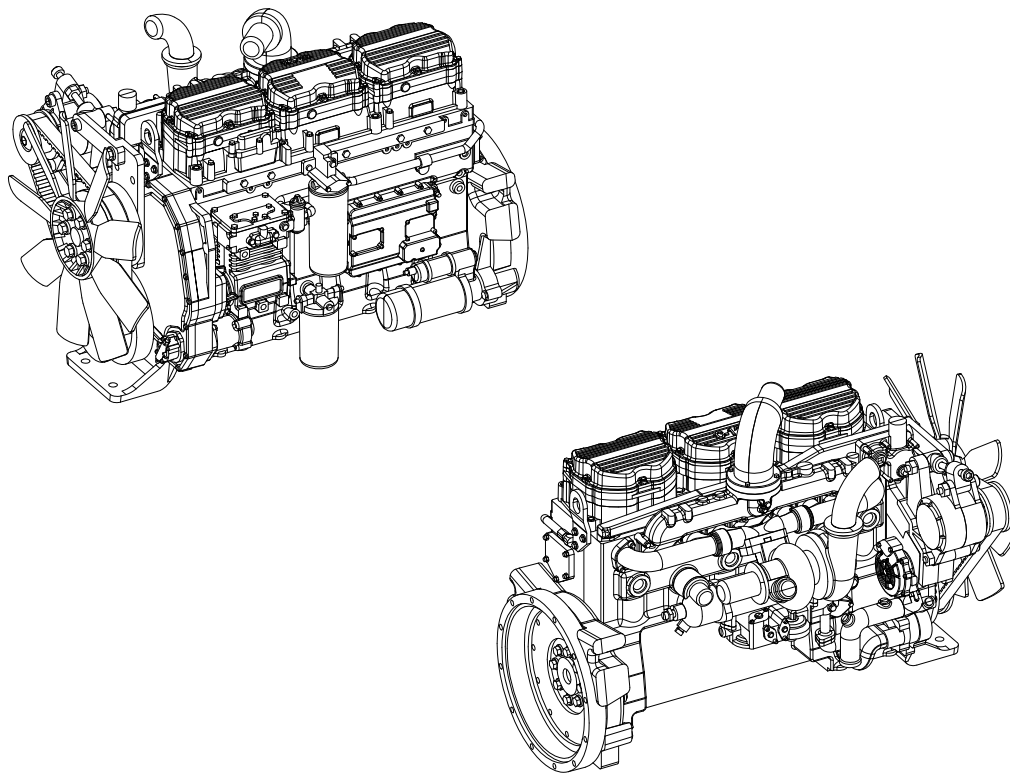
Only for C12 engine model

27



C12 engine model completion status

28



For TC6 installation status